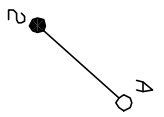
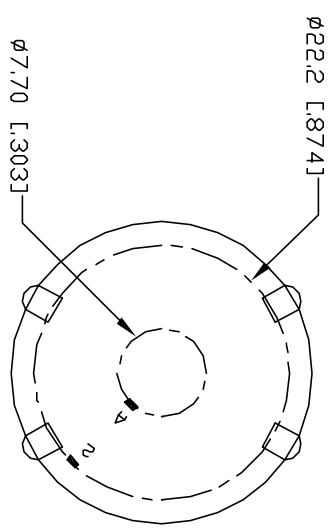
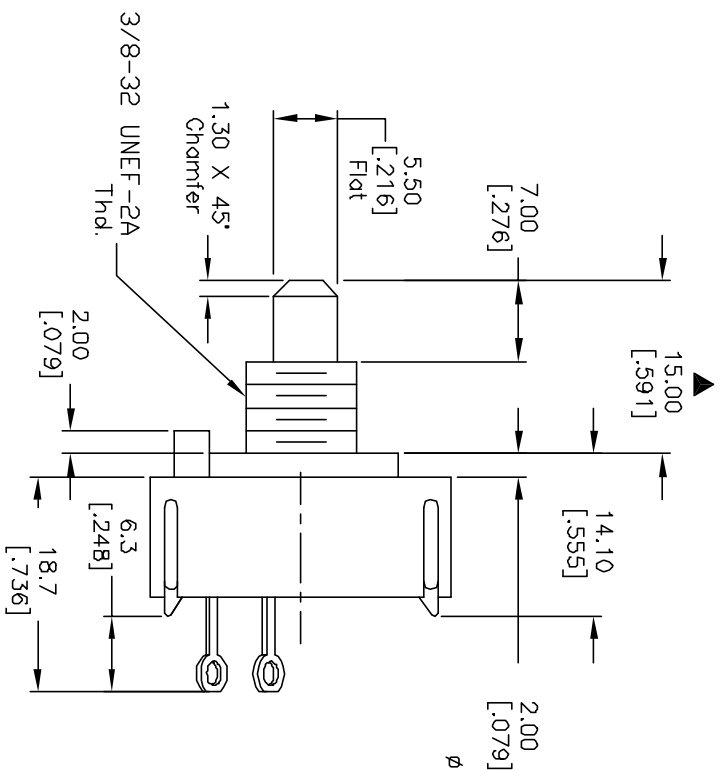
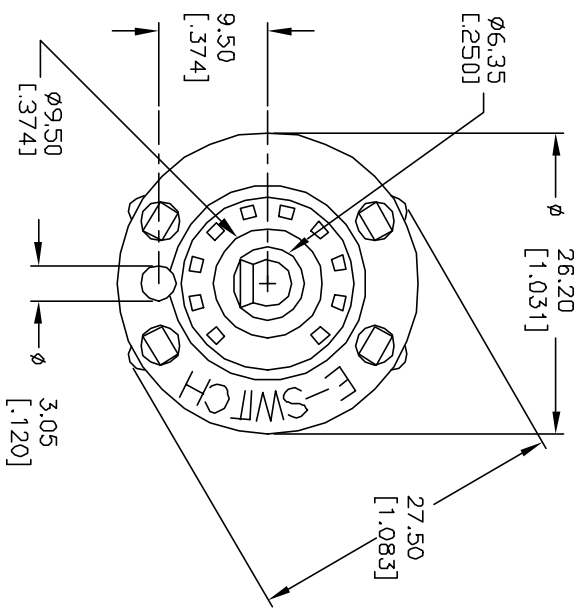
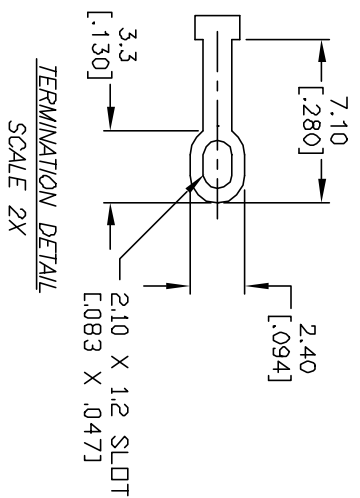


- NOTES:
1. ALL DIMENSION IN MM [INCH]
  2. GENERAL TOLERANCE: X.X=±0.4  
X.XX=±0.25
  3. TERM. NOS. FOR REF. ONLY
  4. CONTACT RATING SWITCHING: 150mA, 250V AC/DC  
350mA, 110V AC/DC
  5. OPERATING FORCE: 425±100 CM/STANDARD
  6. OPERATING TEMP: -30° to 85°C
  7. CIRCUIT SP: Single Throw, 30° INDEX.
  8. DESIGNATE MAJOR DIMENSIONS
  9. DIELECTRIC STRENGTH: 1000V RMS@ SEA LEVEL.
  10. LOCK NUT AND WASHER NOT SHOWN.



CONTACT CONFIGURATION (BBM)



**E-SWITCH®**

REV. A		11272		RELEASED FOR PRODUCTION		5/30/01		CJB		TITLE	
ECN No.		11272		DESCRIPTION		DATE		CHKD		KC-11-A-01-N-L-S (B=15mm)	
SCALE		1.5:1		DATE		5/30/01		DR		CJB	
Dwg		G510892		REV		A		Dwg		G510892	

THE INFORMATION CONTAINED IN THIS DOCUMENT IS PROPRIETARY TO E-SWITCH AND IS NOT TO BE COPIED OR TRANSFERRED